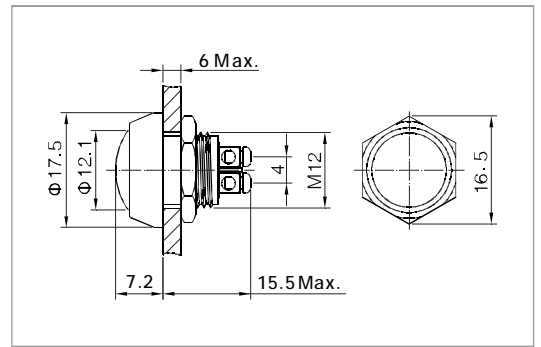


PUSH BUTTON SWITCH



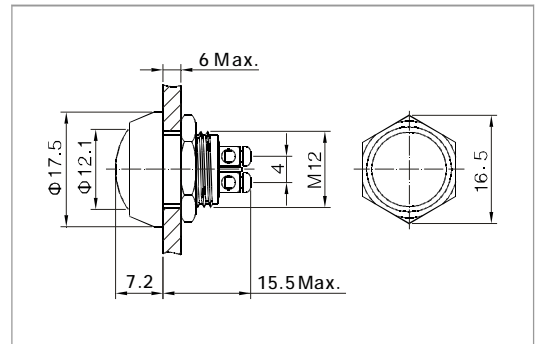
- ⊙ Φ 12mm diameter
- ⊙ 2A/48VDC
- ⊙ 1NO
- ⊙ Domed profile
- ⊙ The crust material: Stainless Steel/  
Nikel Plated Brass
- ⊙ IP Degree: IP65



COLOR PUSH BUTTON SWITCH



- ⊙ Φ 12mm diameter
- ⊙ 2A/48VDC
- ⊙ 1NO
- ⊙ Domed profile
- ⊙ The crust material: Zn- Al alloy
- ⊙ Material of actuator: PBT
- ⊙ Head Color: R G Y O B W
- ⊙ IP Degree: IP65



Specification	GQ12-B	GQ12-B/A
Terminal Type	Screw Terminals	Screw Terminals
Switching	No.1	No.1
Max. Switch Rating	2A/48VDC	2A/48VDC
Contact Resistance	≤ 50mΩ	≤ 50mΩ
Insulation Resistance	≥ 1000MΩ	≥ 1000MΩ
Dielectric Strength	2000VAC	2000VAC
Operation Temp.	-20°C ~ +70°C	-20°C ~ +70°C
Mechanical Life	1,000,000cycles	1,000,000cycles
Electrical Life	200,000cycles	200,000cycles
Contact Material	Silver Alloy	Silver Alloy
Panel Thickness	1 ~ 6mm	1 ~ 6mm
Torque	5 ~ 14Nm	5 ~ 14Nm
Operation Temp.	5.5N	5.5N
IP Degree	IP65	IP65
Material	Button	Stainless Steel/Nikel Plated Brass
	Body	Stainless Steel/Nikel Plated Brass
	Base	PBT
Head color	—	<span style="color: red;">R</span> <span style="color: green;">G</span> <span style="color: yellow;">Y</span> <span style="color: orange;">O</span> <span style="color: blue;">B</span> <span style="border: 1px solid black; padding: 0 2px;">W</span>
<span style="background-color: green; color: white; padding: 2px;">RoHS</span>	Made to order	Made to order