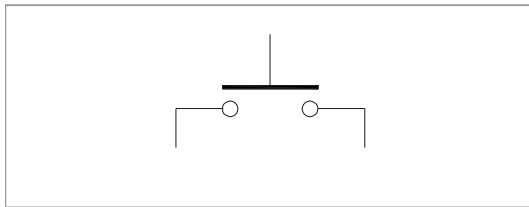


Implication of Type

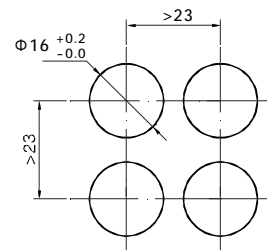
GQ	□□	-	□	/	□	/	□	/	□	/	□
Code of Series	Mounting hole: 16 Φ16mm	The Head shape: B pferoid head F Flat round head H High Flat round head	Connect type: J Pin terminal No letter means Screw Terminals.	Lamp type: D dot illuminated E ring illuminated No letter means without lamp.	Lamp Color: R red G green Y yellow O orange B blue W white	Lamp voltage: 6V AC/DC 12V AC/DC 24V AC/DC 110V AC/DC 220V AC/DC	The crust material: N Nickel plated brass G Gold plated brass S Stainless steel A Zn-AL alloy				

Switching Operation



No.1

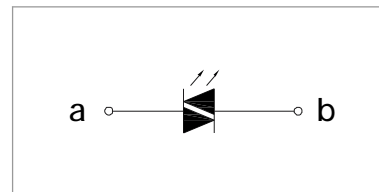
Installation Dimensions



Lamp Ratings

Lamp Type	Two-way LED	
Color	R Y O	G B W
Rated Voltage Ue	AC/DC 1.7V	AC/DC 2.8V
Rated current Ie	20mA	20mA
Life	40000 hours	

Lamp circuit diagram



Note: Current Limiting Resistor of the LED need to be external linked.
Referring to the following resistance configuration table.

Resistance Configuration Table

Operating Voltage and Current Limiting Resistor (recommendation)					Computational Formula	
Operating Voltage U		6V	12V	24V	36V	$R = \frac{U - U_e}{I_e}$
Current Limiting Resistor R	R Y O	210 Ω, 1/4W	510 Ω, 1/2W	1.2kΩ, 3/4W	2.2KΩ, 1W	
	G B W	160 Ω, 1/4W	460 Ω, 1/2W	1.2KΩ, 3/4W	2.2KΩ, 1W	

Soldering information

- Handiwork soldering: Soldering iron 30W or under 30W at 230°C for 3sec max.

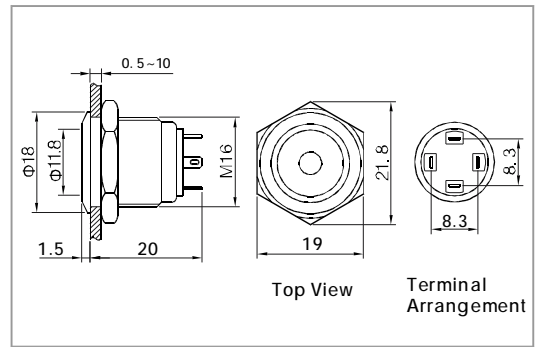
GQ16 ANTI-VANDAL PUSHBUTTONS

DOT ILLUMINATED PUSHBUTTON



GQ16-F/D

- ⊙ 16mmdiameter
- ⊙ 2A/36VDC
- ⊙ 1NO
- ⊙ The crust material:Stainless Steel/
Brass(Nikel Plated, Gold Plated)
- ⊙ Dot Illuminated
- ⊙ IP Degree:IP65

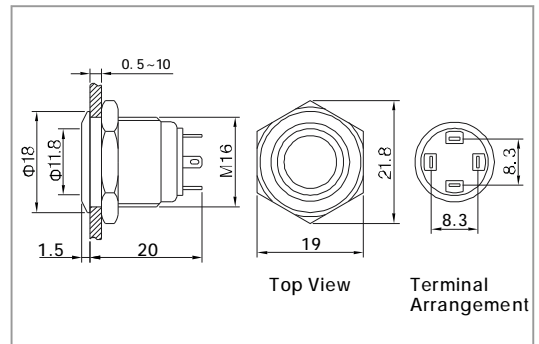


RING ILLUMINATED PUSHBUTTON



GQ16-F/E

- ⊙ 16mmdiameter
- ⊙ 2A/36VDC
- ⊙ 1NO
- ⊙ The crust material:Stainless Steel/
Brass(Nikel Plated, Gold Plated)
- ⊙ Ring Illuminated
- ⊙ IP Degree:IP65



Specification	GQ16-F/D	GQ16-F/E
The Front Shape	Flat Round	Flat Round
Terminal Type	Pin Terminal((2×0.5mm)	Pin Terminal((2×0.5mm)
Switching	No.1	No.1
Max. Switch Rating	2A/36VDC	2A/36VDC
Contact Resistance	≤50mΩ	≤50mΩ
Insulation Resistance	≥1000MΩ	≥1000MΩ
Dielectric Strength	2000VAC	2000VAC
Operation Temp.	-20°C ~ +70°C	-20°C ~ +70°C
Mechanical Life	1,000,000cycles	1,000,000cycles
Electrical Life	50,000 cycles	50,000 cycles
Contact Material	Silver Alloy	Silver Alloy
Panel Thickness	1 ~ 10mm	1 ~ 10mm
Torque	5 ~ 14Nm	5 ~ 14Nm
Operation Pressure	5.5N	5.5N
IP Degree	IP65	IP65
Material	Button	Stainless Steel/Brass(Nikel Plated, Gold Plated)
	Body	Stainless Steel/Brass(Nikel Plated, Gold Plated)
	Base	PBT
	RoHS	Made to order
LED Spec.	Type	Dot Illuminated(LED)
	Rated Voltage	6V / 12V / 24V / 110V / 220V
	Color	R G Y O B W
	Life	40,000 hours