

Implication of Type

LAS1	GQ	— □□	□	□	/ □	/ □
Code of Series	GQ means metal crust type	Contact structure: 11 1NO1NC 22 2NO2NC 33 3NO3NC	Code name of derivative products: Z alternate type Y key switch The momentary type is without letter	Type: D dot R ring No letter means without lamp.	The specific rating of the lamp with illuminated button is included in the lamp ratings form	Lamp color: R red G green Y yellow O orange B blue W white

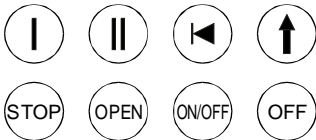
Lamp Ratings

Lamp Type	LED		
Rated Voltage	AC/DC3.5V	AC/DC6V	AC/DC12V
	AC/DC24V	AC/DC110V	AC/DC220V
Colours	R	G	Y O B W
Life	About 40,000 hours		

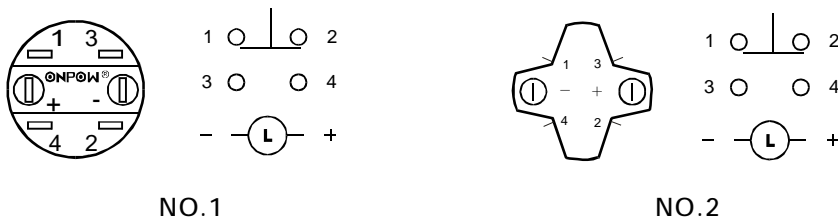
Note: There are protective resistor in the lamp, special voltage rate can be made to order.

Engraving Options

- Special type can be made to order.
- Examples



Switching Operation



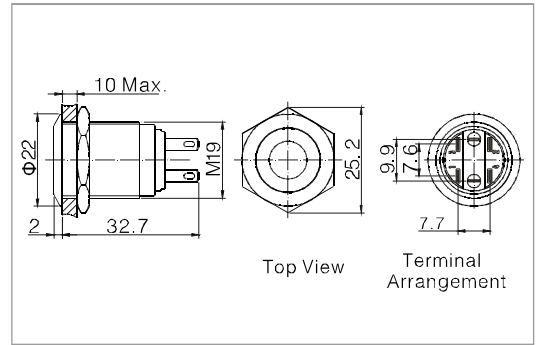
Purchasing Notice

- Please write ONPOW code after check the Implication of Type and the detailed specification in the catalog..
- Please place an order over 1,000pcs if the products need to be made to order.
- All IP Degree listed in our forms can seal front of panel only.

DOT ILLUMINATED PUSHBUTTON



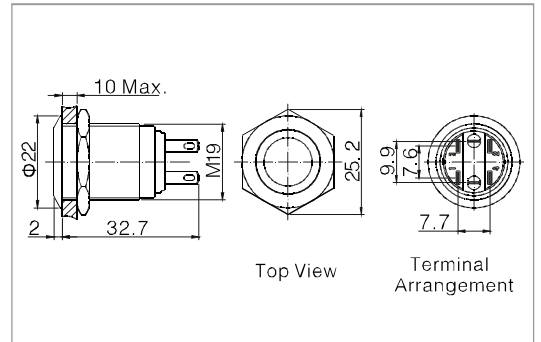
- ⊙ Φ19mm diameter
- ⊙ 5A, 250VAC
- ⊙ 1NO1NC
- ⊙ The crust material: Stainless Steel
- ⊙ Dot Illuminated
- ⊙ IP Degree: IP65



RING ILLUMINATED PUSHBUTTON



- ⊙ Φ19mm diameter
- ⊙ 5A, 250VAC
- ⊙ 1NO1NC
- ⊙ The crust material: Stainless Steel
- ⊙ Ring Illuminated
- ⊙ IP Degree: IP65



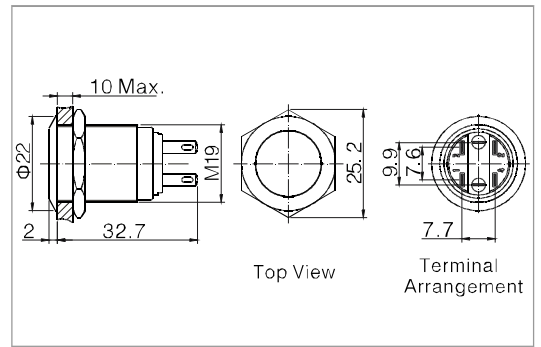
Specification	LAS1GQ-11□D	LAS1GQ-11□R
The Front Shape	Flat Round	Flat Round
Terminations	Soldering(Pin Terminal)/2.8mm tabs	Soldering(Pin Terminal)/2.8mm tabs
Switching	NO.1	NO.1
Max. Switch Rating	5A/250VAC	5A/250VAC
Contact Resistance	≤ 50mΩ	≤ 50mΩ
Insulation Resistance	≥ 1000MΩ	≥ 1000MΩ
Dielectric Strength	2000VAC	2000VAC
Operating Temp.	- 20°C ~ + 70°C	- 20°C ~ + 70°C
Mechanical life	1,000,000 cycles	1,000,000 cycles
Electrical life	50,000 cycles	50,000 cycles
Contact material	Silver Alloy	Silver Alloy
Panel Thickness	1 ~ 10mm	1 ~ 10mm
Torque	5 ~ 14Nm	5 ~ 14Nm
Operation Pressure	5.5N	5.5N
IP Degree	IP65	IP65
Material	Button	Stainless Steel
	Body	Stainless Steel
	Base	PBT
	RoHS	Made to order
LED Spec.	Type	Dot Illuminated(LED)
	Rated Voltage	3.5V / 6V / 12V / 24V / 110V / 220V
	Color	R G Y O B W
	Life	40,000 hours

PUSHBUTTONS



LAS1GQ-11

- ⊙ Φ 19mm diameter
- ⊙ 5A, 250VAC
- ⊙ 1NO1NC
- ⊙ The Front Shape: Flat Round
- ⊙ The crust material: Stainless Steel
- ⊙ IP Degree: IP65

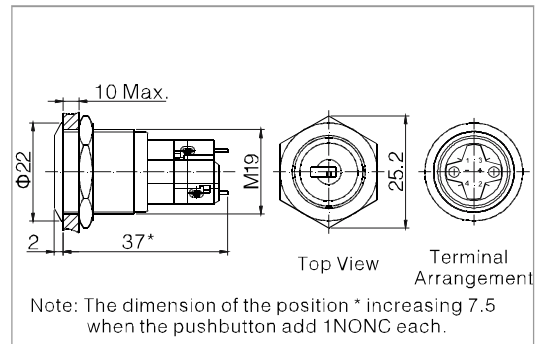


KEY SWITCHES



LAS1GQ-□□Y

- ⊙ Φ 19mm diameter
- ⊙ 5A, 250VAC
- ⊙ 1NO1NC/2NO2NC/3NO3NC/4NO4NC
- ⊙ Two position remain
- ⊙ The crust material: Stainless Steel
- ⊙ IP Degree: IP40



Specification	LAS1GQ-11	LAS1GQ-11Y
The Front Shape	Flat Round	Round
Terminations	Soldering(Pin Terminal)/2.8mm tabs	Soldering(Pin Terminal)
Switching	NO.1	NO.2
Max. Switch Rating	5A/250VAC	5A/250VAC
Contact Resistance	$\leq 50m\Omega$	$\leq 50m\Omega$
Insulation Resistance	$\geq 1000M\Omega$	$\geq 1000M\Omega$
Dielectric Strength	2000VAC	2000VAC
Operating Temp.	- 20°C ~ + 70°C	- 20°C ~ + 70°C
Mechanical life	1,000,000 cycles	1,000,000 cycles
Electrical life	50,000 cycles	50,000 cycles
Contact material	Silver Alloy	Silver Alloy
Panel Thickness	1 ~ 10mm	1 ~ 10mm
Torque	5 ~ 14Nm	5 ~ 14Nm
Operation Pressure	5.5N	5.5N
IP Degree	IP65	IP40
Material	Button	Allumen
	Body	Stainless Steel
	Base	Bakelite
RoHS	Made to order	Made to order