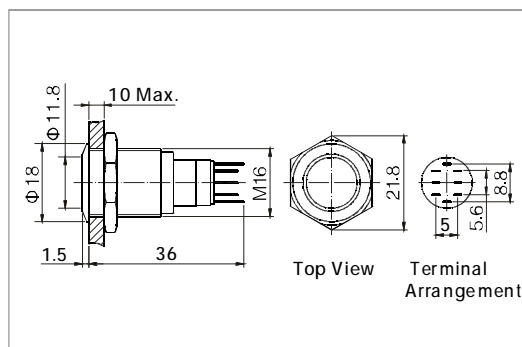


PUSH BUTTON SWITCH



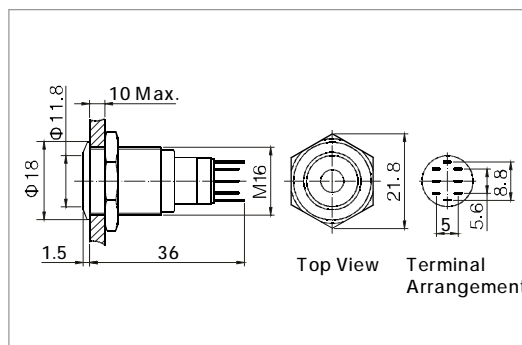
- ⊙ Φ 16mm diameter
- ⊙ 3A/250VAC
- ⊙ 1NO1NC/2NO2NC
- ⊙ Front Shape: Flat Round
- ⊙ Crust material: Stainless Steel/
Brass (Nikel Plated, Gold Plated)
- ⊙ IP Degree: IP40/IP67



DOT ILLUMINATED PUSHBUTTON



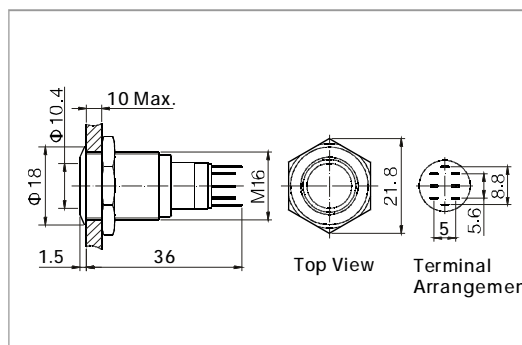
- ⊙ Φ 16mm diameter
- ⊙ 3A/250VAC
- ⊙ 1NO1NC/2NO2NC
- ⊙ Front Shape: Flat Round
- ⊙ Crust material: Stainless Steel/
Brass (Nikel Plated, Gold Plated)
- ⊙ Dot Illuminated
- ⊙ IP Degree: IP40/IP67



RING ILLUMINATED PUSHBUTTON



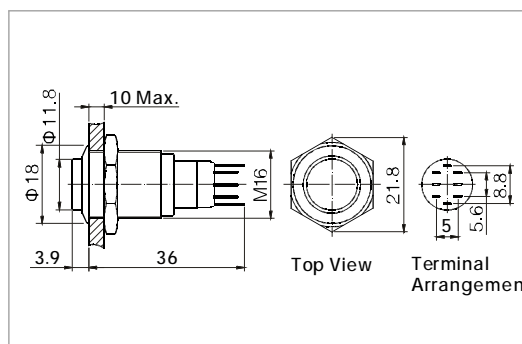
- ⊙ Φ 16mm diameter
- ⊙ 3A/250VAC
- ⊙ 1NO1NC/2NO2NC
- ⊙ Front Shape: Flat Round
- ⊙ Crust material: Stainless Steel/
Brass (Nikel Plated, Gold Plated)
- ⊙ Ring Illuminated
- ⊙ IP Degree: IP40/IP67



PUSH BUTTON SWITCH



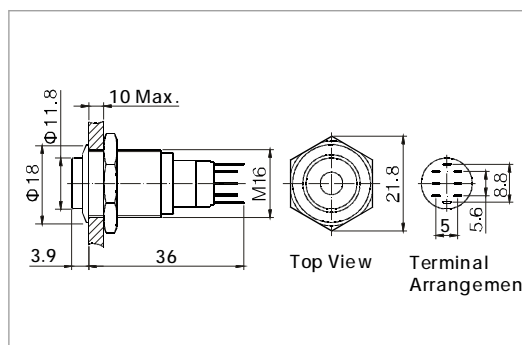
- ⊙ Φ 16mm diameter
- ⊙ 3A/250VAC
- ⊙ 1NO1NC/2NO2NC
- ⊙ Front Shape: High Round
- ⊙ Crust material: Stainless Steel/
Brass (Nikel Plated, Gold Plated)
- ⊙ IP Degree: IP40/IP67



DOT ILLUMINATED PUSHBUTTON



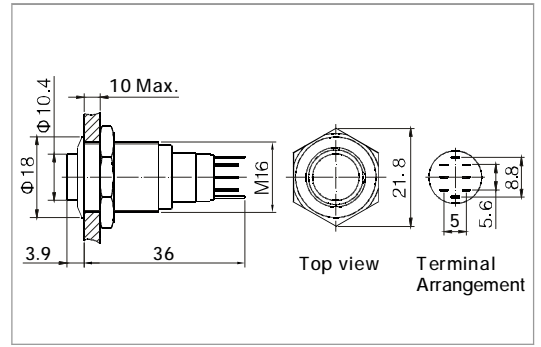
- ⊙ Φ 16mm diameter
- ⊙ 3A/250VAC
- ⊙ 1NO1NC/2NO2NC
- ⊙ Front Shape: High Round
- ⊙ Crust material: Stainless Steel/
Brass (Nikel Plated, Gold Plated)
- ⊙ Dot Illuminated
- ⊙ IP Degree: IP40/IP67



RING ILLUMINATED PUSHBUTTON



- ⊙ Φ 16mm diameter
- ⊙ 3A/250VAC
- ⊙ 1NO1NC/2NO2NC
- ⊙ Front Shape:High Round
- ⊙ Crust material:Stainless Steel/
Brass(Nikel Plated,Gold Plated)
- ⊙ Ring Illuminated
- ⊙ IP Degree:IP40/IP67



Specification	LAS2GQF-□□□ LAS2GQH-□□□	LAS2GQF-□□□D LAS2GQH-□□□D	LAS2GQF-□□□E LAS2GQH-□□□E
The Front Shape	Flat Round High Round	Flat Round High Round	Flat Round High Round
Terminal Type	Pin Terminal(1.8×0.4mm)	Pin Terminal(1.8×0.4mm)	Pin Terminal(1.8×0.4mm)
Switching	No.3	No.3	No.3
Max. Switch Rating	3A/250VAC	3A/250VAC	3A/250VAC
Contact Resistance	≤50mΩ	≤50mΩ	≤50mΩ
Insulation Resistance	≥1000MΩ	≥1000MΩ	≥1000MΩ
Dielectric Strength	2000VAC	2000VAC	2000VAC
Operation Temp.	-20°C ~ +70°C	-20°C ~ +70°C	-20°C ~ +70°C
Mechanical Life	200,000cycles	200,000cycles	200,000cycles
Electrical Life	50,000 cycles	50,000 cycles	50,000 cycles
Contact Material	Silver Alloy	Silver Alloy	Silver Alloy
Panel Thickness	1 ~ 10mm	1 ~ 10mm	1 ~ 10mm
Torque	5 ~ 14Nm	5 ~ 14Nm	5 ~ 14Nm
Operation Pressure	1 ~ 3N	1 ~ 3N	1 ~ 3N
IP Degree	IP40/IP67	IP40/IP67	IP40/IP67
Material	Button	Stainless Steel/Brass(Nikel Plated,Gold Plated)	Stainless Steel/Brass(Nikel Plated,Gold Plated)
	Body	Stainless Steel/Brass(Nikel Plated,Gold Plated)	Stainless Steel/Brass(Nikel Plated,Gold Plated)
	Base	PBT	PBT
	RoHS	Made to order	Made to order
LED Spec.	Type	Without Lamp	Dot Illuminated(LED)
	Rated Voltage	---	6V / 12V / 24V / 110V / 220V
	Color	---	R G Y O B W
	Life	---	40,000 hours