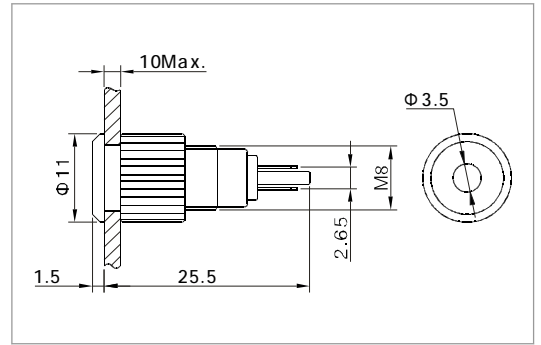


PILOT LAMP



GQ8-D

- ⊙ Φ 8mm diameter
- ⊙ Voltage Range:3~48V
- ⊙ Rated Current:15mA
- ⊙ Lamp Type:LED
- ⊙ Lamp Color: R G Y O B W
- ⊙ The crust material:Stainless Steel/
Nikel Plated Brass
- ⊙ IP Degree:IP67

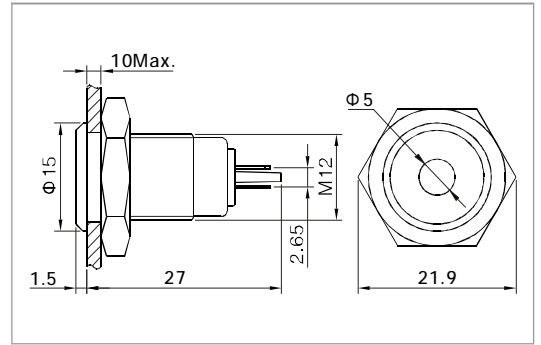


PILOT LAMP



GQ12-D

- ⊙ Φ 12mm diameter
- ⊙ Voltage Range:3~48V
- ⊙ Rated Current:15mA
- ⊙ Lamp Type:LED
- ⊙ Lamp Color: R G Y O B W
- ⊙ The crust material:Stainless Steel
- ⊙ IP Degree:IP67



Specification		GQ8-D	GQ12-D
Terminal Type		Pin Terminal(1.8×0.4mm)	Pin Terminal(1.8×0.4mm)
Dielectric Strength		1100VAC	2000VAC
Operating Temp		-20°C ~ +70°C	-20°C ~ +70°C
Panel Thickness		1 ~ 6mm	1 ~ 6mm
Torque		5 ~ 14Nm	5 ~ 14Nm
IP Degree		IP67	IP67
Material	Button	PC	PC
	Body	Stainless Steel/Nikel Plated Brass	Stainless Steel
	Base	PBT	PBT
RoHS		Made to order	Made to order
LED Spec.	Type	Pilot lamp(LED)	Pilot lamp(LED)
	Rated Voltage	6V/12V/24V	6V/12V/24V
	Color	R G Y O B W	R G Y O B W
	Life	About 40,000 hours	About 40,000 hours