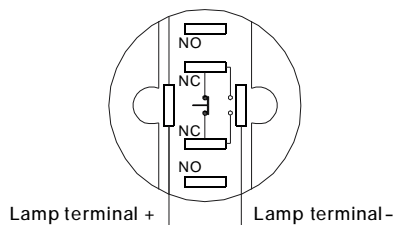


GQ22ANTI-VANDAL PUSHBUTTONS

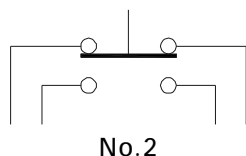
◆ Implication of Type

GQ	□□	-	□□	□	/	□	/	□	/	□
Code of Series	Mounting hole: 22 Φ22mm	Contact Structure: 11 1NO1NC	Lamp type: E ring No letter means without lamp.	The crust material: N Nickel Plated Brass G Glod Plated Brass S Stainless Steel	Lamp Color: R red G green Y yellow O orange B blue W white	Lamp voltage: 6V AC/DC 12V AC/DC 24V AC/DC 110V AC/DC 220V AC/DC				

◆ Terminal Arrangement



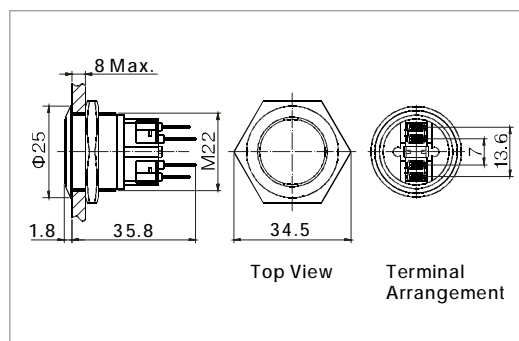
◆ Switching Operation



PUSH BUTTON SWITCH



- ⊙ Φ22mm diameter
- ⊙ 5A/250VAC
- ⊙ 1NO1NC
- ⊙ Switching:No.2
- ⊙ The Front Shape:Flat Round
- ⊙ The crust material:Stainless Steel/
Brass(Nikel Plated,Gold Plated)
- ⊙ IP Degree:IP65

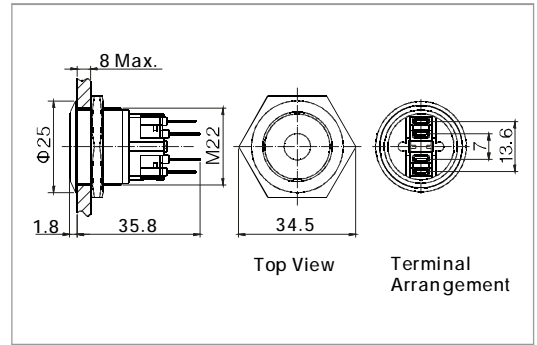


DOT ILLUMINATED PUSH BUTTON SWITCH



GQ22-11D

- ⊙ Φ22mm diameter
- ⊙ 5A/250VAC
- ⊙ 1NO1NC
- ⊙ Switching:No.2
- ⊙ The Front Shape:Flat Round
- ⊙ The crust material:Stainless Steel/
Brass(Nikel Plated,Gold Plated)
- ⊙ IP Degree:IP65

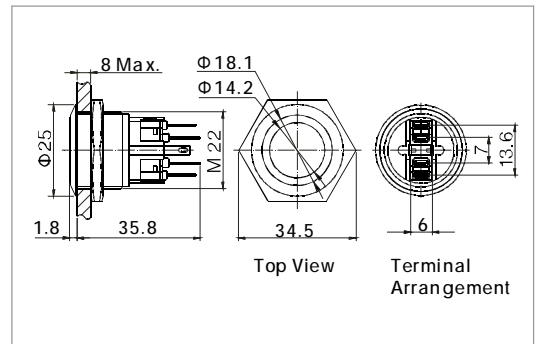


RING ILLUMINATED PUSH BUTTON SWITCH



GQ22-11E

- ⊙ Φ22mm diameter
- ⊙ 5A/250VAC
- ⊙ 1NO1NC
- ⊙ Switching:No.2
- ⊙ The Front Shape:Flat Round
- ⊙ The crust material:Stainless Steel/
Brass(Nikel Plated,Gold Plated)
- ⊙ IP Degree:IP65



Specification	GQ22-11	GQ22-11D	GQ22-11E
The Front Shape	Flat Round	Flat Round	Flat Round
Terminal Type	Pin Terminal(2.8×0.5mm)	Pin Terminal(2.8×0.5mm)	Pin Terminal(2.8×0.5mm)
Switching	No.2	No.2	No.2
Max.Switch Rating	5A/250VAC	5A/250VAC	5A/250VAC
Contact Resistance	≤ 50mΩ	≤ 50mΩ	≤ 50mΩ
Insulation Resistance	≥ 1000MΩ	≥ 1000MΩ	≥ 1000MΩ
Dielectric Strength	2000VAC	2000VAC	2000VAC
Operation Temp.	-20°C ~ +70°C	-20°C ~ +70°C	-20°C ~ +70°C
Mechanical Life	1,000,000cycles	1,000,000cycles	1,000,000cycles
Electrical Life	50,000 cycles	50,000 cycles	50,000 cycles
Contact Material	Silver Alloy	Silver Alloy	Silver Alloy
Panel Thickness	1 ~ 8mm	1 ~ 8mm	1 ~ 8mm
Torque	5 ~ 14Nm	5 ~ 14Nm	5 ~ 14Nm
Operation Pressure	3~8N	3~8N	3~8N
IP Degree	IP65	IP65	IP65
Material	Button	Stainless Steel	Stainless Steel
	Body	Stainless Steel	Stainless Steel
	Base	PA	PA
	RoHS	Made to order	Made to order
LED Spec.	Type	-	Dot Illuminated(LED)
	Rated Voltage	-	6V / 12V / 24V / 110V / 220V
	Color	-	R G Y O B W
	Life	-	40,000 hours
			Ring Illuminated(LED)
			6V / 12V / 24V / 110V / 220V
			R G Y O B W
			40,000 hours